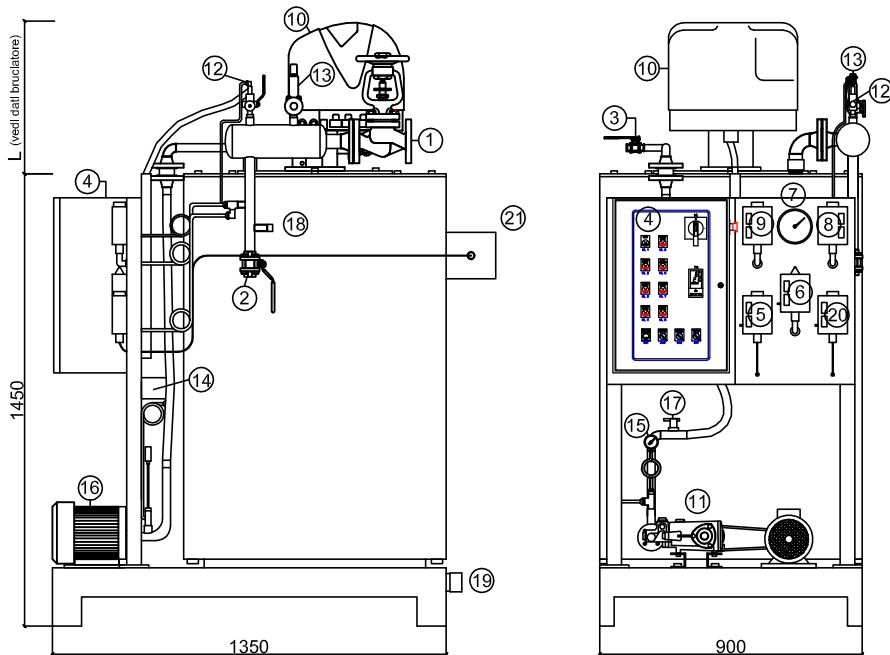


TECHNICAL DATA	STEAM PRODUCTION [Kg/h]	550	
	THERMAL POWER	[Mcal/h]	330
		[KW]	384
	SURFACE [mq]	13.3	
	FLUID	VAPORE H2O SATURO	
	WEIGHT [Kg]	900	
	FLUE PRESSURE DROP [mbar]	3	
	HYDROSTATIC PRESSURE TEST	[Kg/cm2]	22.4
		[Bar]	22
	TEMPERATURE [°C]	190.7	
	DESIGN PRESSURE	[Kg/cm2]	12
		[Bar]	11.76



LEGENDA:

1	STEAM OUTLET WITH BELLOWS DN 40	11	PLUNGER PUMPS SPECK 105°C
2	STARTING DISCHARGE BALL VALVE 1"	12	TAP TEST STEAM PRESSURE
3	BACKWASH BALL VALVE 1/2"	13	SAFETY VALVES 3/4"-1"
4	ELETRICAL PANEL IP55	14	WATER SAFETY PRESSURE SWITCH DANFOSS
5	STEAM SAFETY THERMOSTAT DANFOSS	15	WATER MANOMETER
6	STEAM SAFETY PRESSURE SWITCH DANFOSS	16	MOTOR
7	STEAM MANOMETER 0-20 bar	17	FLOW METER TO CONTROL WATER FLOW
8	STEAM MAX PRESSURE SWITCH DANFOSS	18	PREDISPOSITION STEAM TRAP 1/2"
9	STEAM REGULATION PRESSURE SWITCH DANFOSS (only for two stage version)	19	BODY CLEAN DISCHARGE 2"
10	BURNER	20	CHIMNEY THERMOSTAT DANFOSS
		21	CHIMNEY Ø 160 mm

GENERAL DATA

Vertical forced circulation steam boiler with 2 smoke passes and high efficiency of 88%. The internal coil is composed by two concentric coil made by P235GH steel pipe. The coil with the smaller diameter constitutes the combustion chambers that the free end rests on a base of refractory material. All pressure parts are designed second PED directive (97/23/CE). The special design of the collector is to encourage the separation of the liquid component of the steam. Not pressure parts are made by steel carpentry of important thickness. The cylindrical body is insulated with rock wool to prevent the thermal inertia. The boiler is openable at the top by refractory plate bolted. The degree of protection of electrical panel is IP55 and with standard set has general switch, auxiliary start switch, burner start switch, speed switch, a reset button for the safety blocks, digital temperature controller for reading and the continuous control of the temperature of steam and block warning lights (water block, over-load block, pressure block, chimney block, pressure Max. Pump, steam block and burner block).



Title: STEAM GENERATOR FB330 COMPONENTS		Number: FB330Components	Scale: not in scale
Designer: LAURORA ING. GHERARDO	Materials:		
Disegned: MUSESTI	Approval: LAURORA	Date: 12/03/2014	Modifications: Emission

25085 GAVARDO (BS) ITALY - Via Fomaci n. 71/a
Tel. +39 0365 31264 - +39 0365 34681 - Fax +39 0365 371741
E-mail: info@gavardocaldaie.it